

Windows:
Marvin Elevate
Glass: LowE2 dual pane argon
Coastal hardware, almond frost
Screens for operable units
SDL as shown on schedule elevations
No integral casing
Jamb extensions $6 \frac{13}{16}$ "
Exterior color: Stone white
Interior finish: Factory applied white

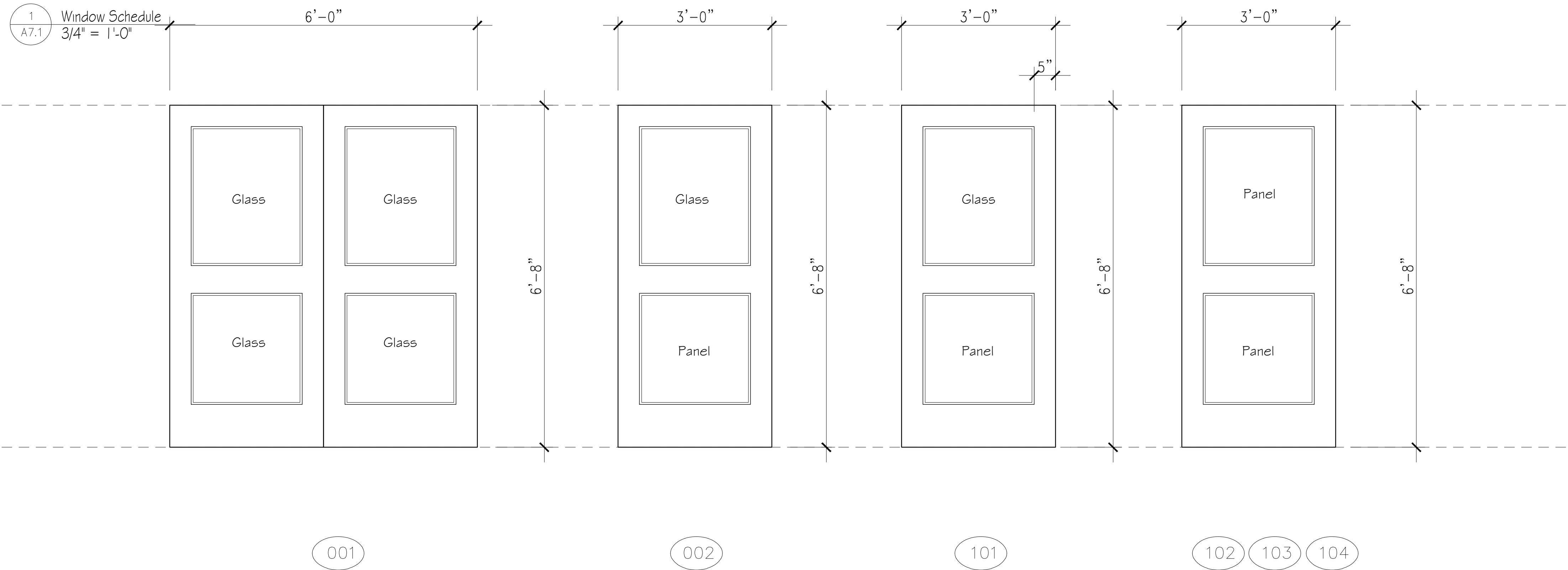
IAWN 2535

ELDH 3056

ICAP 2927

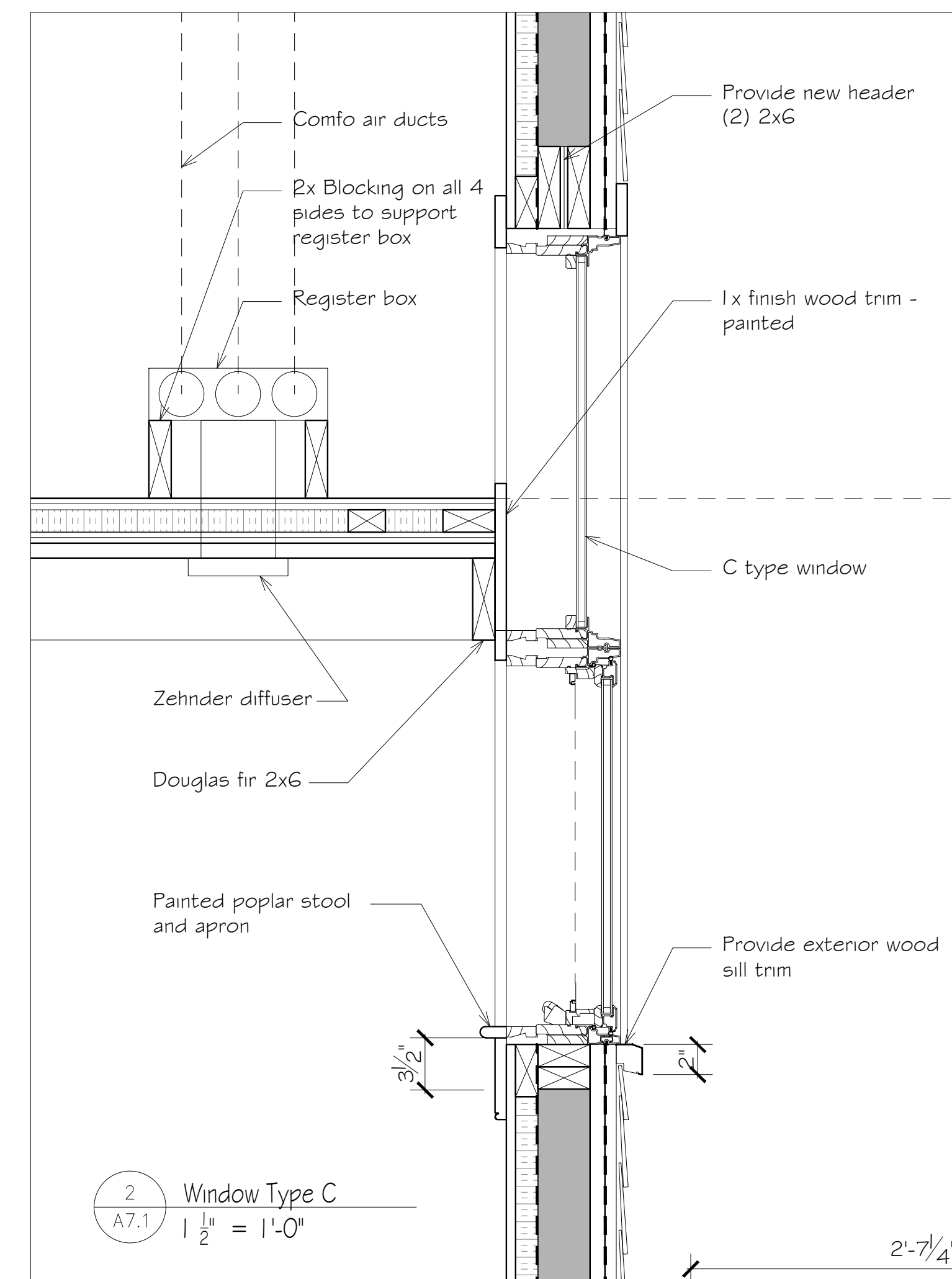
IAWN 2927

IAWN 2535



Doors:
001 - Therma-Tru Smooth Star outswinging hinged patio doors with astragal full light $\frac{13}{16}$ " fixed grille SDL 2W4H clear dual pane LoE2
002 - Therma-Tru Smooth Star outswinging door full light $\frac{13}{16}$ " fixed grille SDL 2W4H clear dual pane LoE2
101 - Mohawk Aspiro/Harring $1 \frac{3}{4}$ " solid stile and rail interior, flat panel paint grade, $\frac{1}{4}$ " tempered clear glass
102, 103, 104 - Mohawk Aspiro/Harring $1 \frac{3}{4}$ " solid stile and rail interior, flat panel paint grade

Door Hardware:
001 - Double exterior
002 - Single exterior
101, 102, 103 - Storage function
104 - Privacy set



Window & Door Schedules

SCALE:
1/4" = 1'-0"

12-4-23

DRAWN BY CHECKED BY

PROJECT NUMBER

DRAWING NUMBER

A7.1